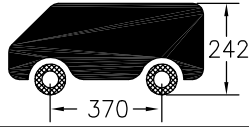
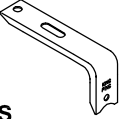
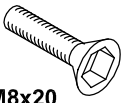
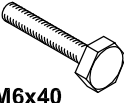
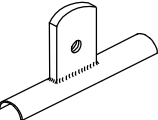


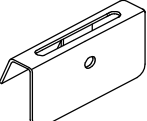


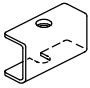
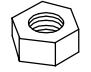
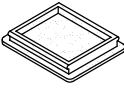

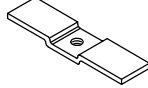

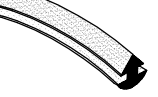
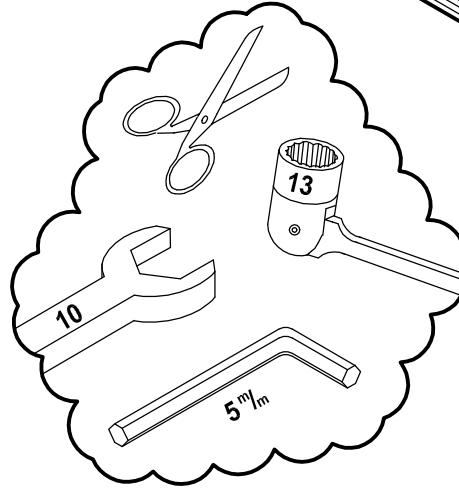


Citroën Jumper Fiat Ducato Peugeot Boxer

350x160 cm. L3 H2



 8x	 8x M8x20	 8x M6x40
 8x	 16x M8	 8x M6
 8x	 16x 3xD M8	 8x 3xD M6
 8x	 8x M8	 8x
 16x M8x20	 16x M8	 2x KING PING
 1x		



KING PING
www.king-ping.com
Info@king-ping.com

