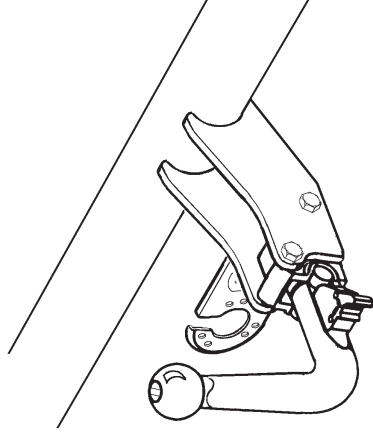
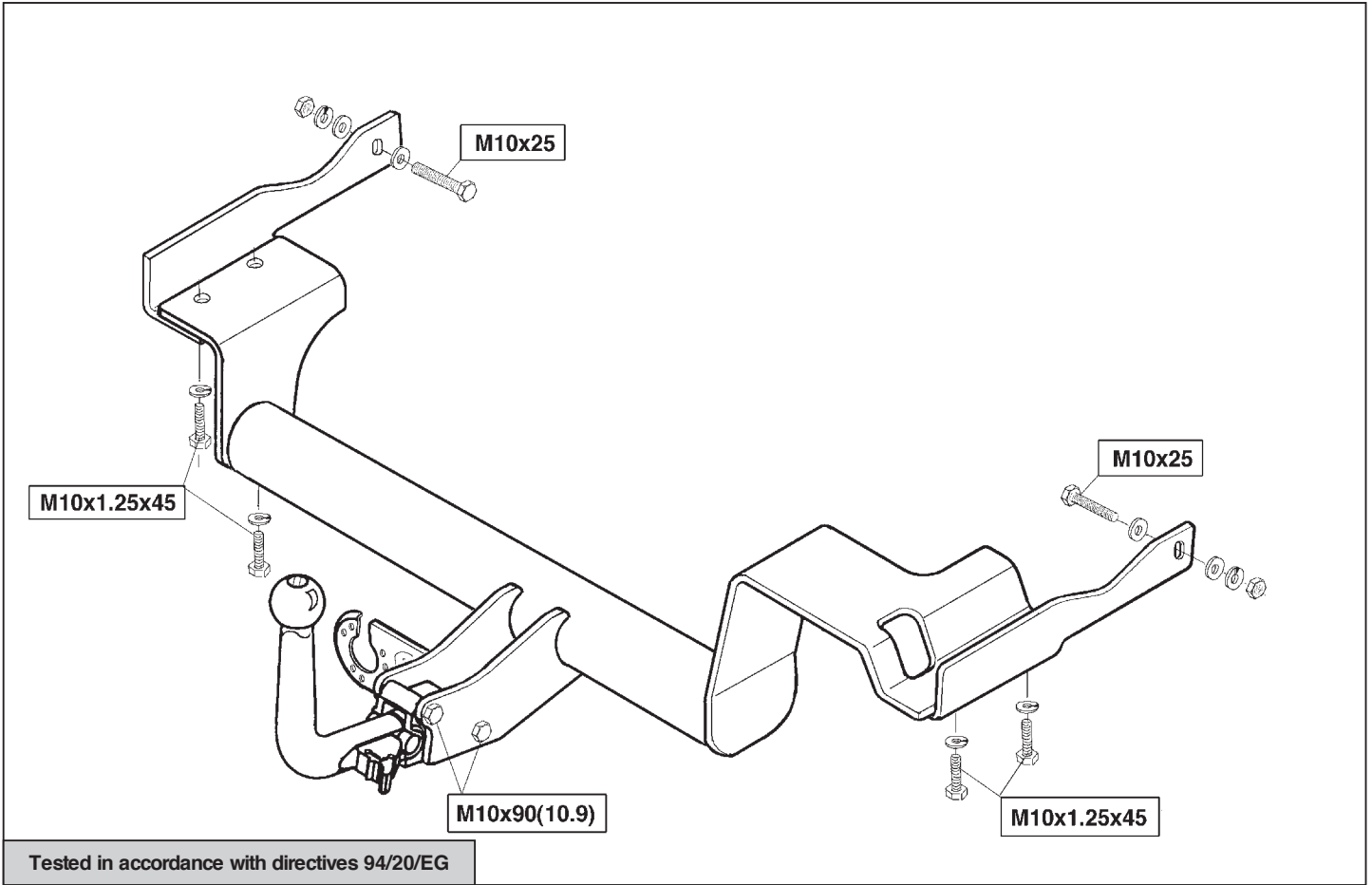

Fitting instructions

Toyota

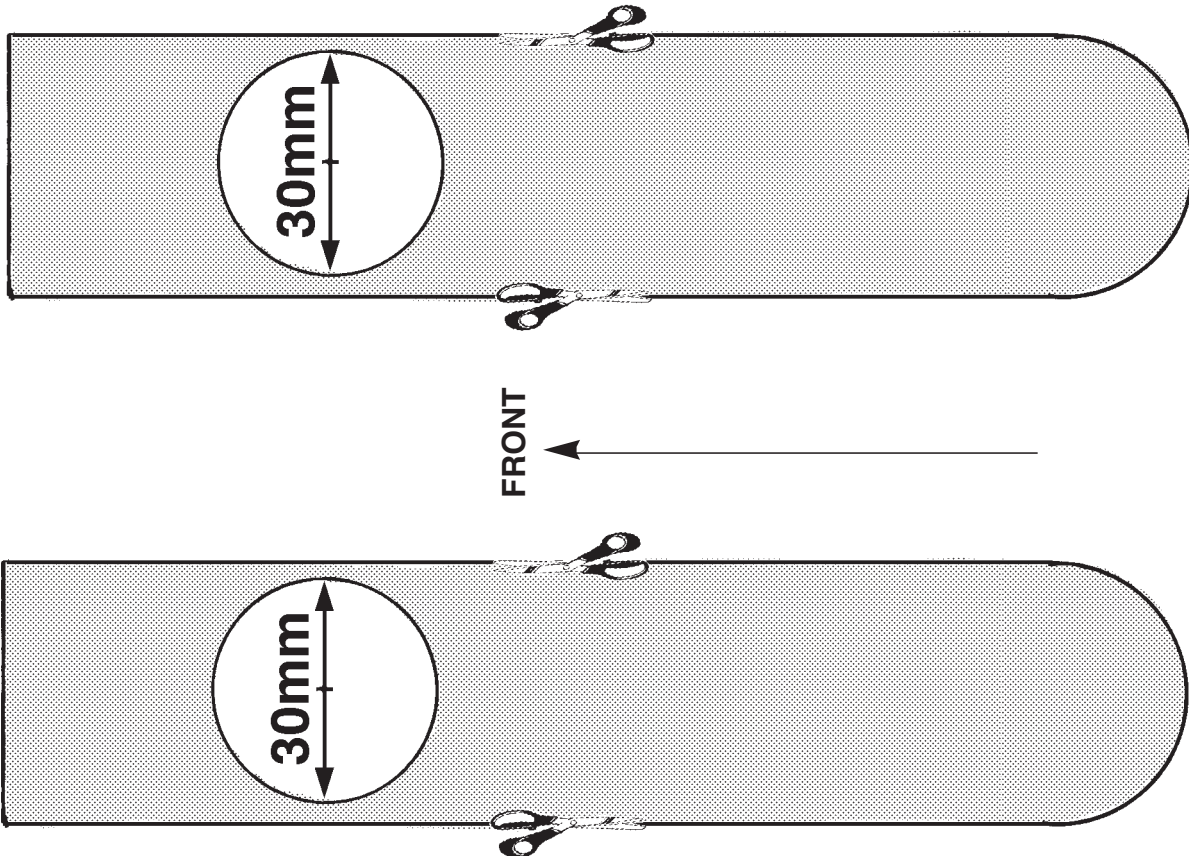
Yaris Verso; 1999->

Type: 3019



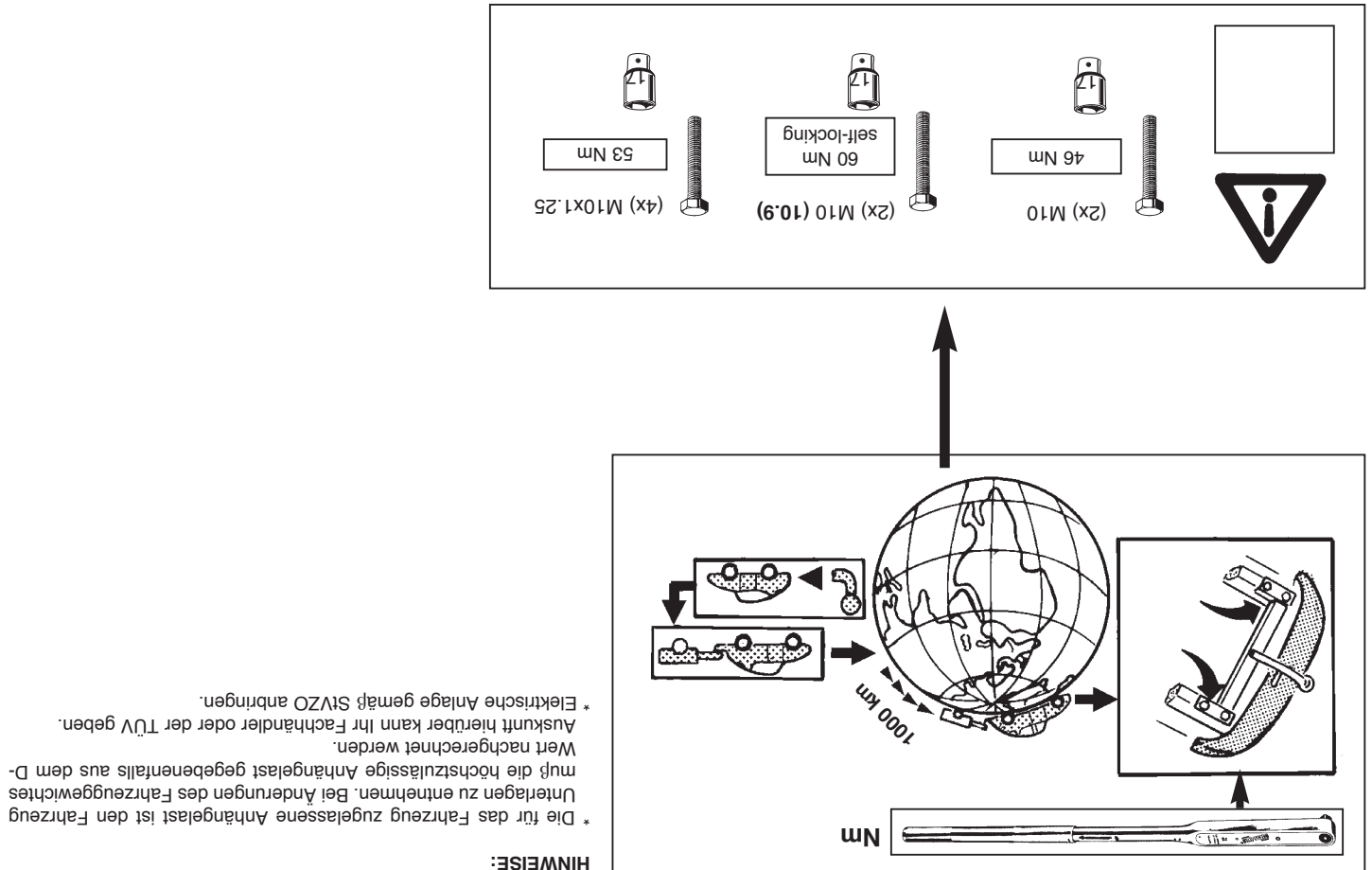
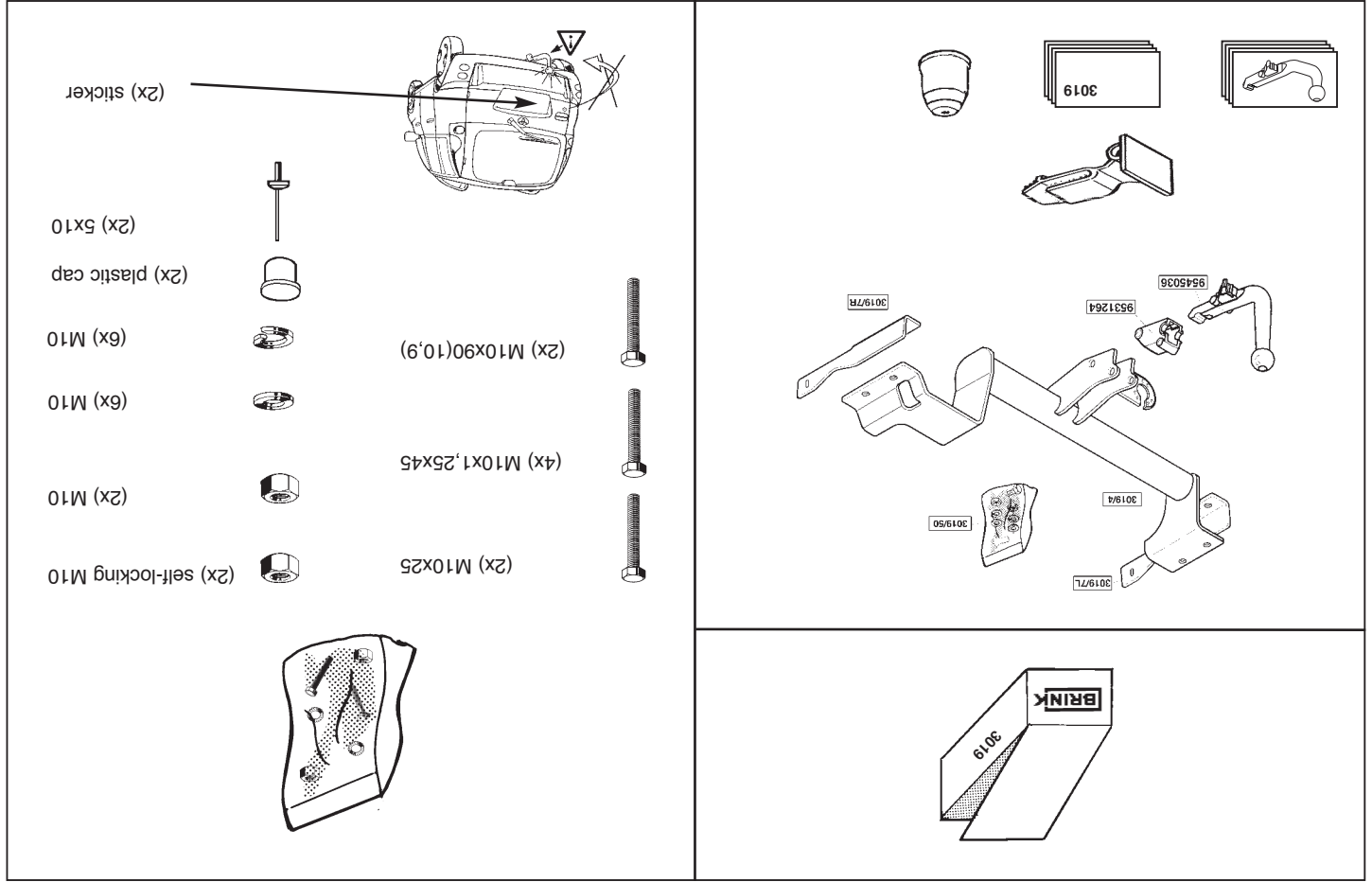


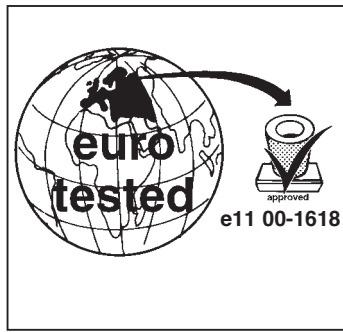
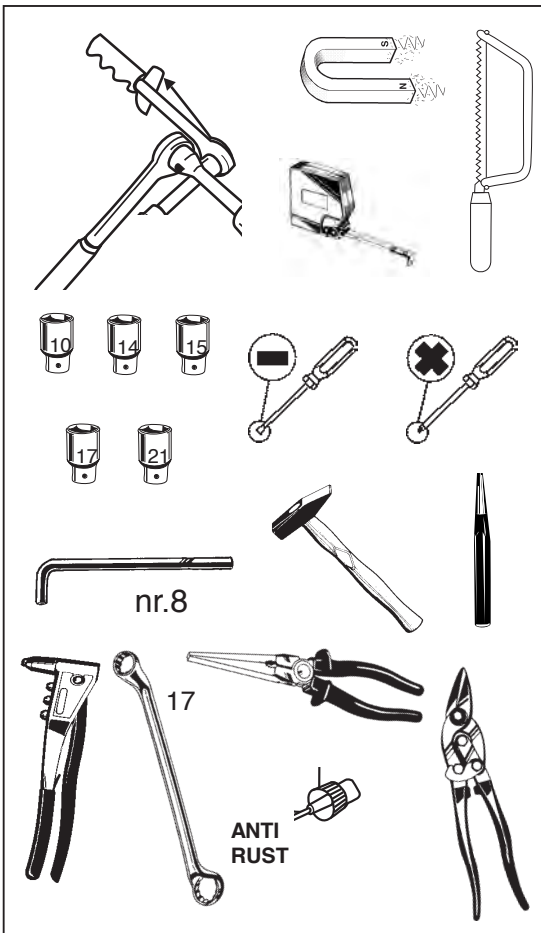
© 301970/17-06-2009/1



TEMPLATE

© 301970/17-06-2009/18

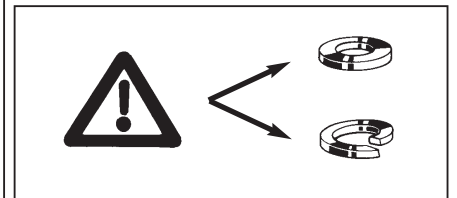
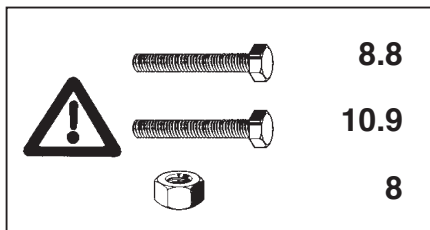
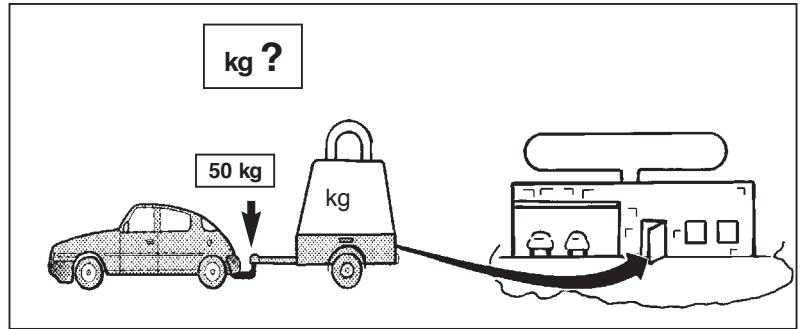




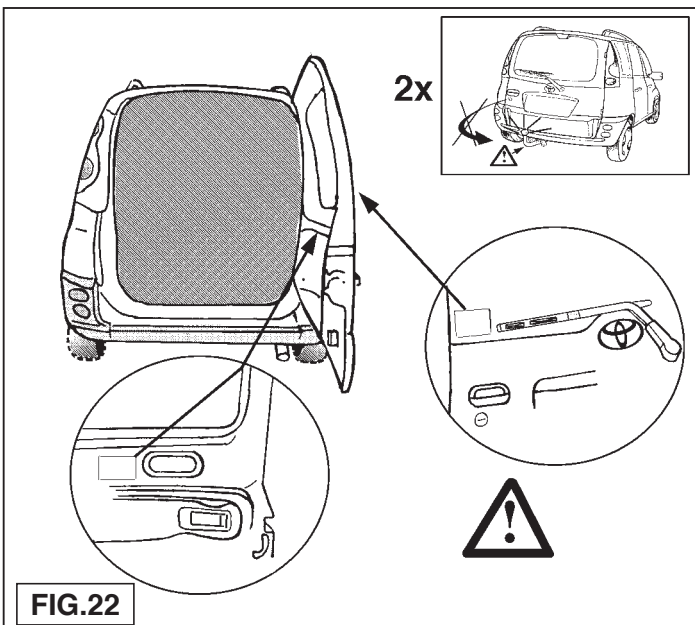
D-value

$$D = \frac{1530 \times 1000}{1530 + 1000} \times \frac{9.81}{1000} = 6.3 \text{ kN}$$

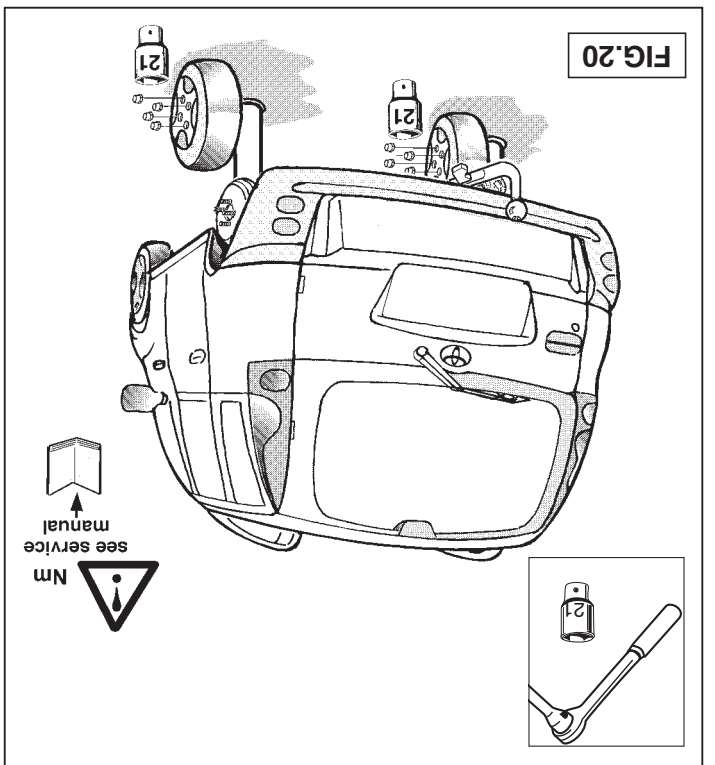
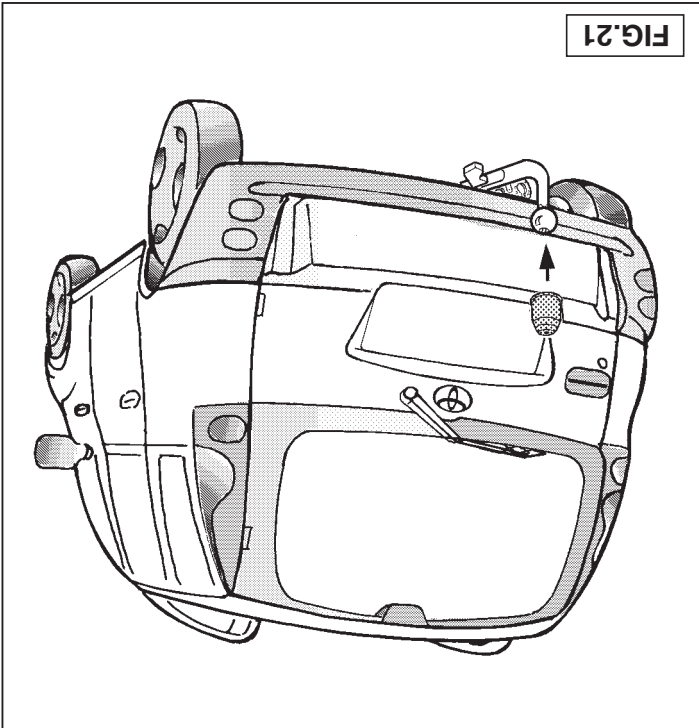
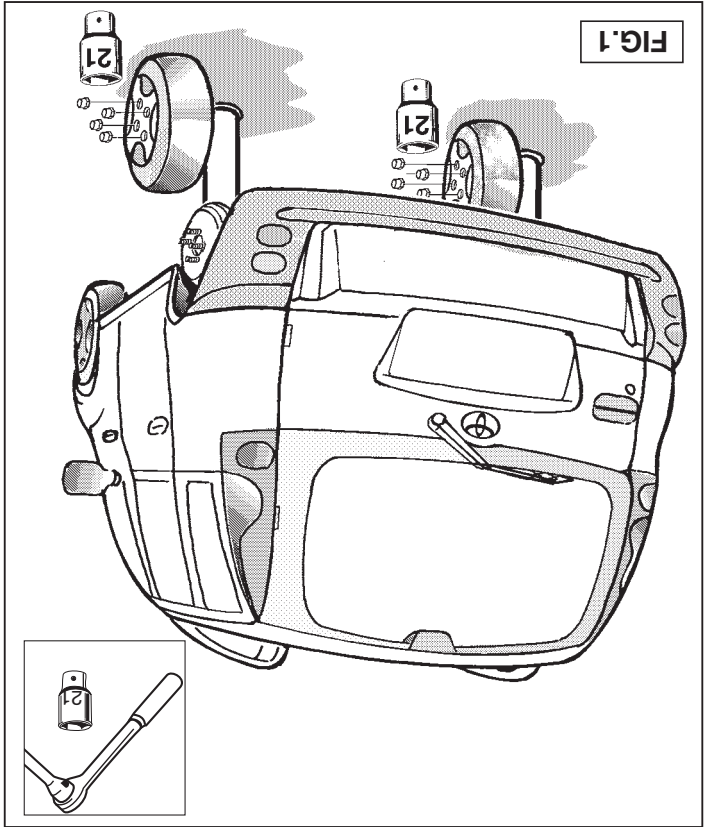
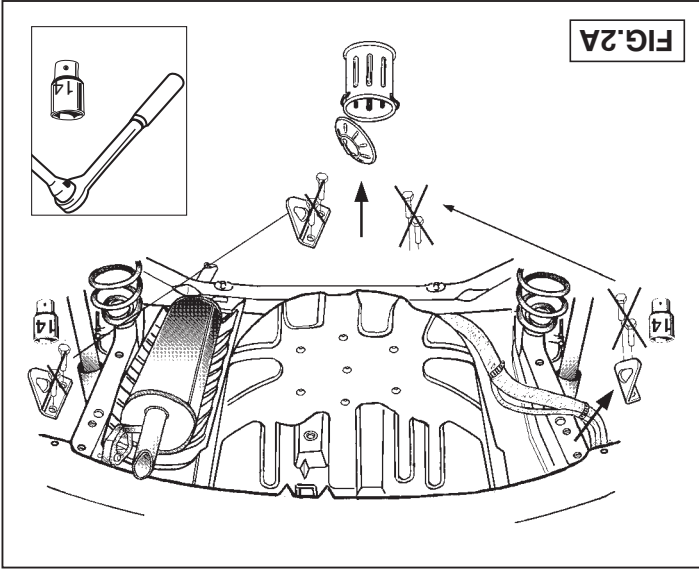
The diagram shows two cars, each with a weight of 1530 kg, and a truck with a weight of 1000 kg. The formula uses these weights to calculate the D-value.

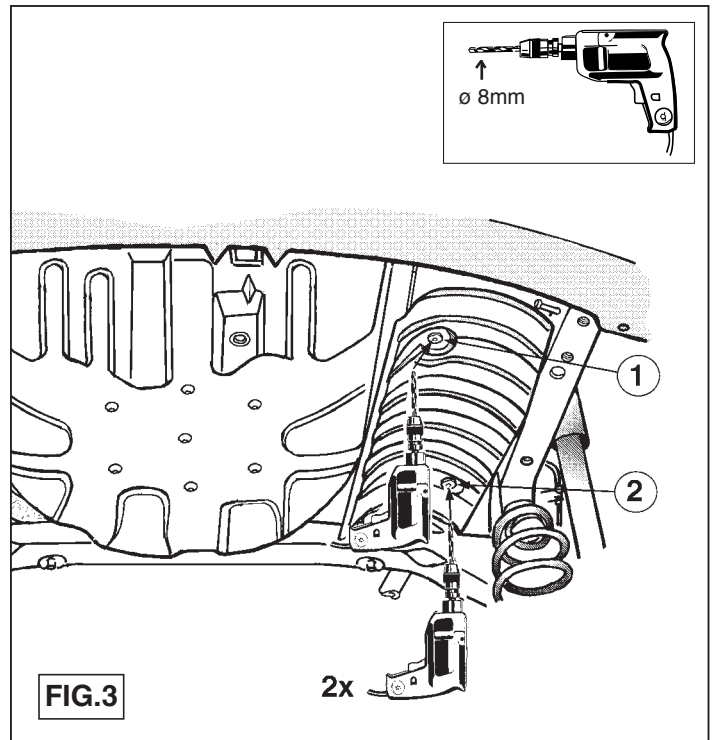
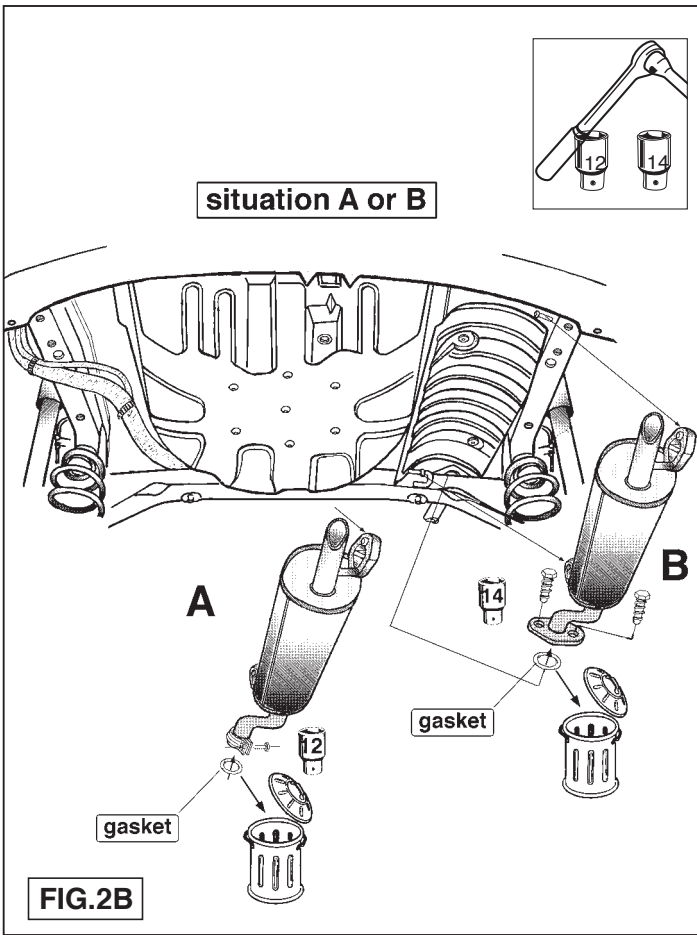


© 301970/17-06-2009/3

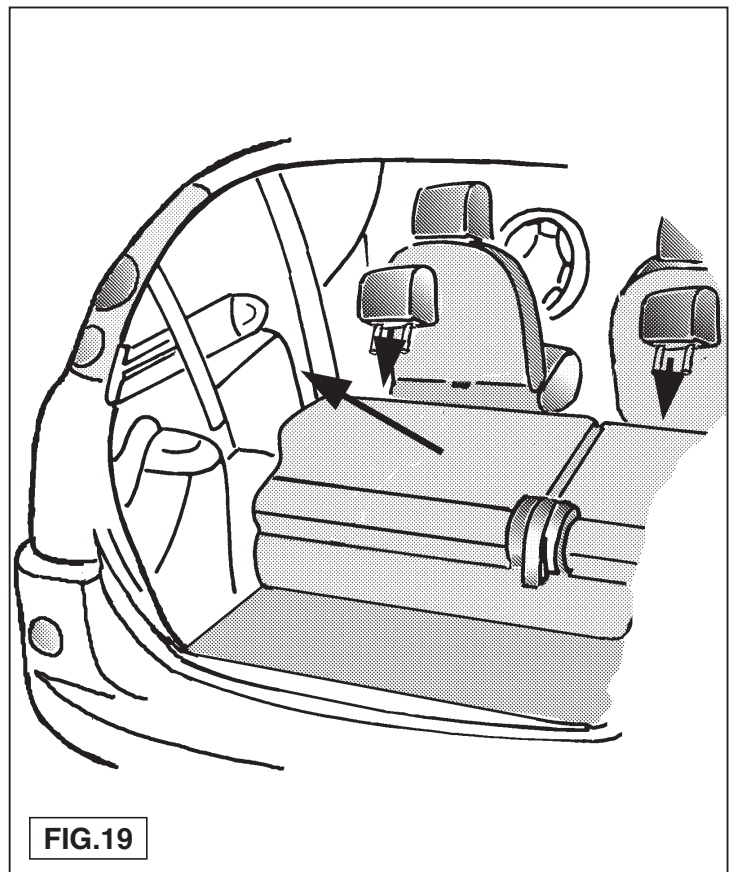
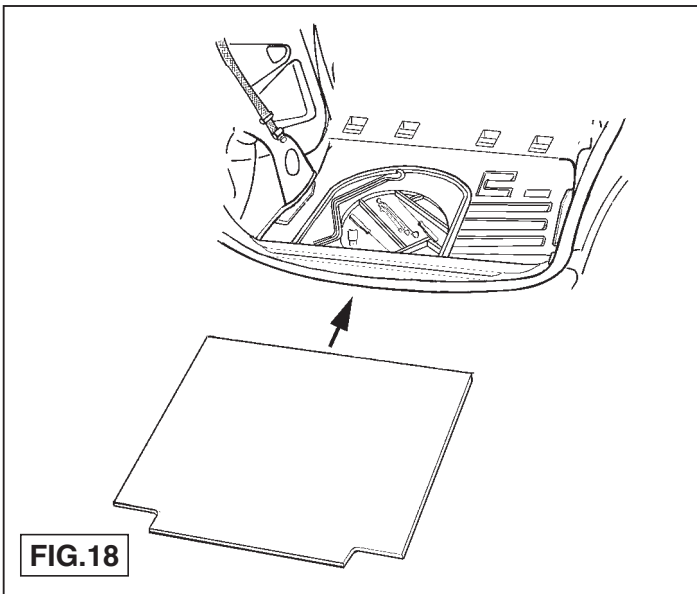


© 301970/17-06-2009/16

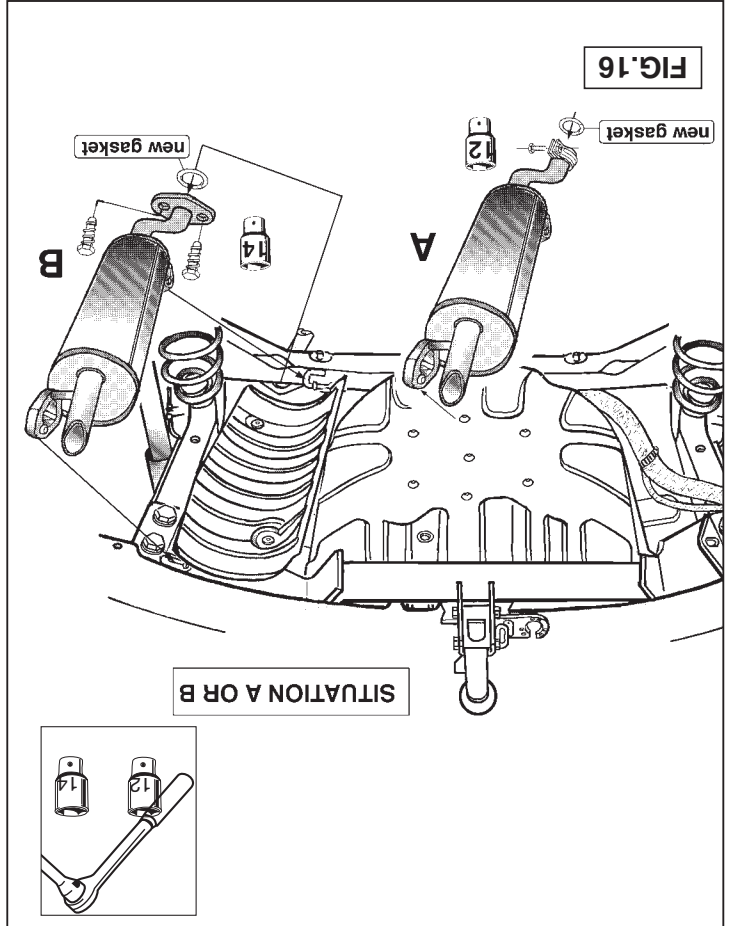
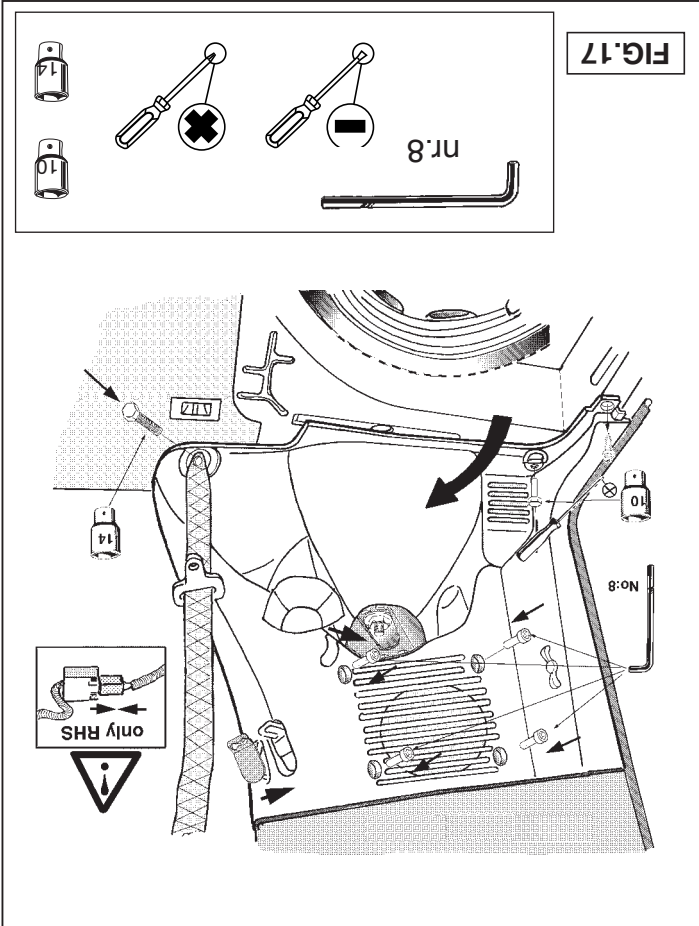
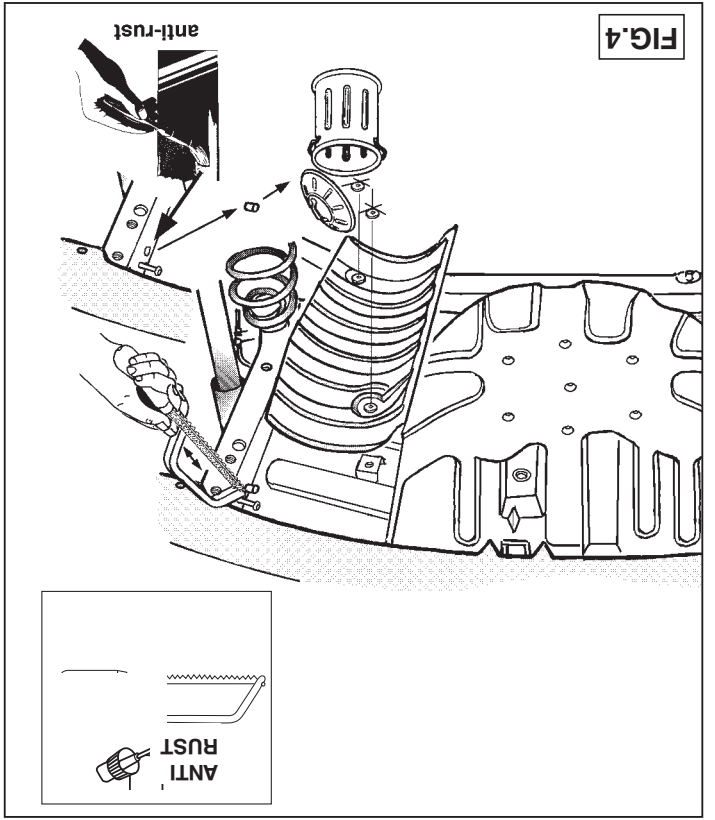
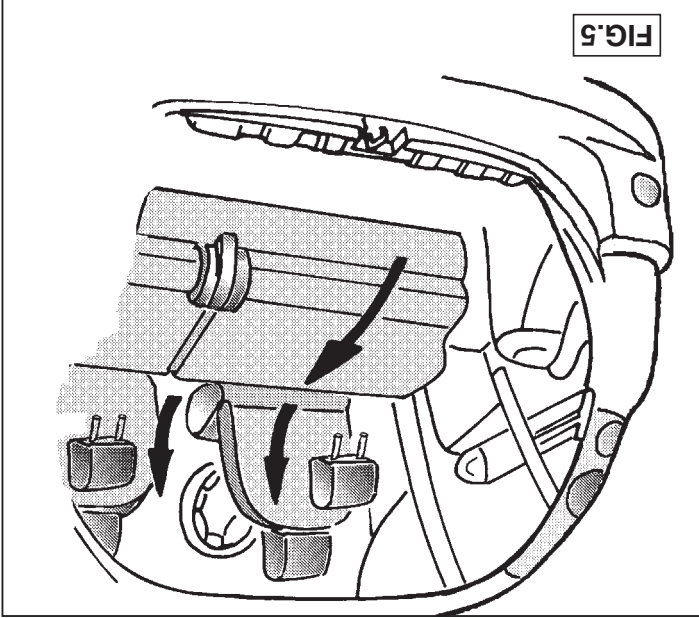




© 301970/17-06-2009/5



© 301970/17-06-2009/14



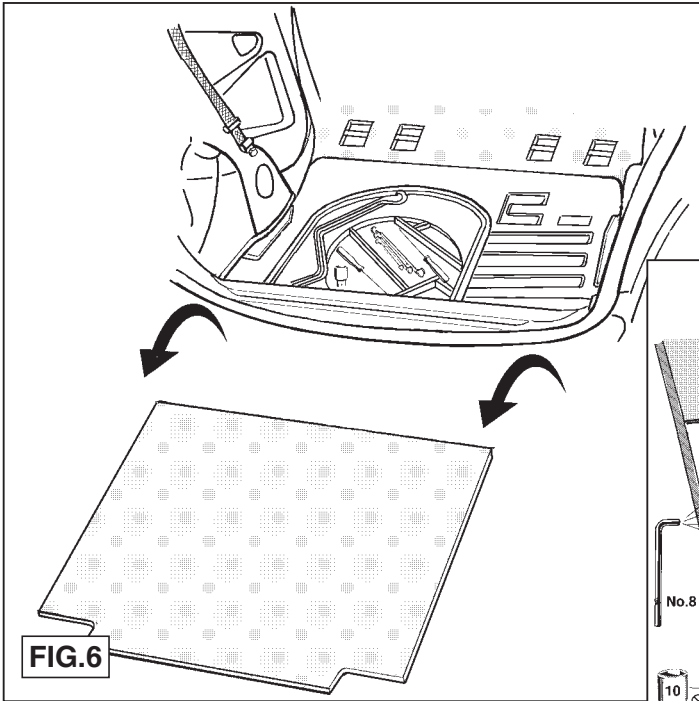


FIG.6

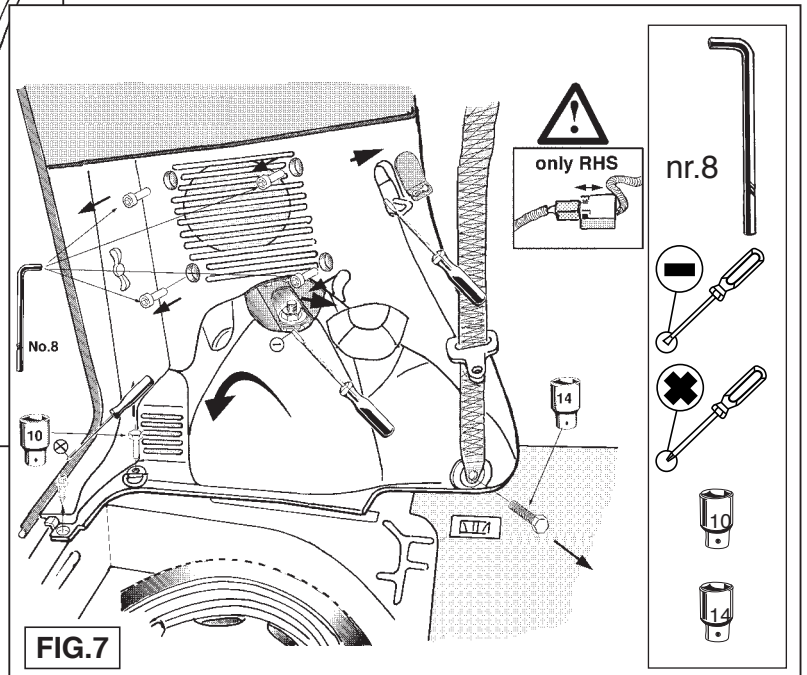


FIG.7

© 301970/17-06-2009/7

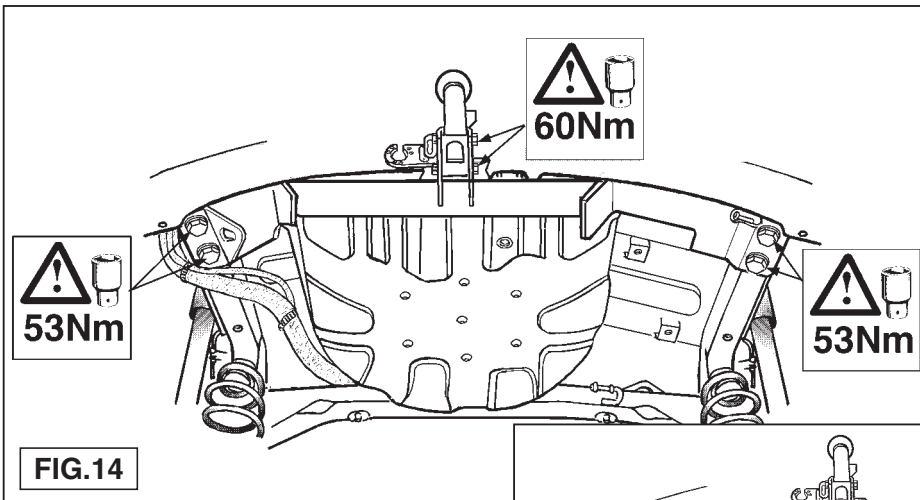


FIG.14

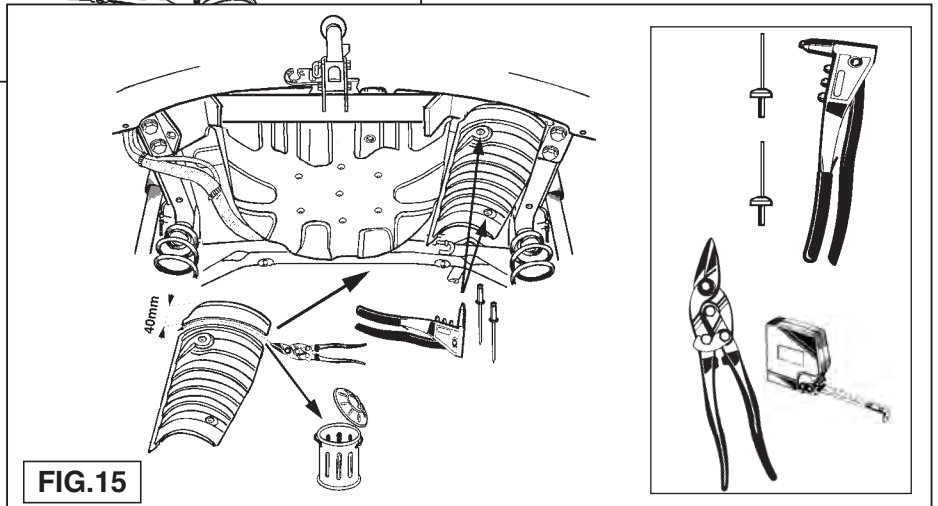
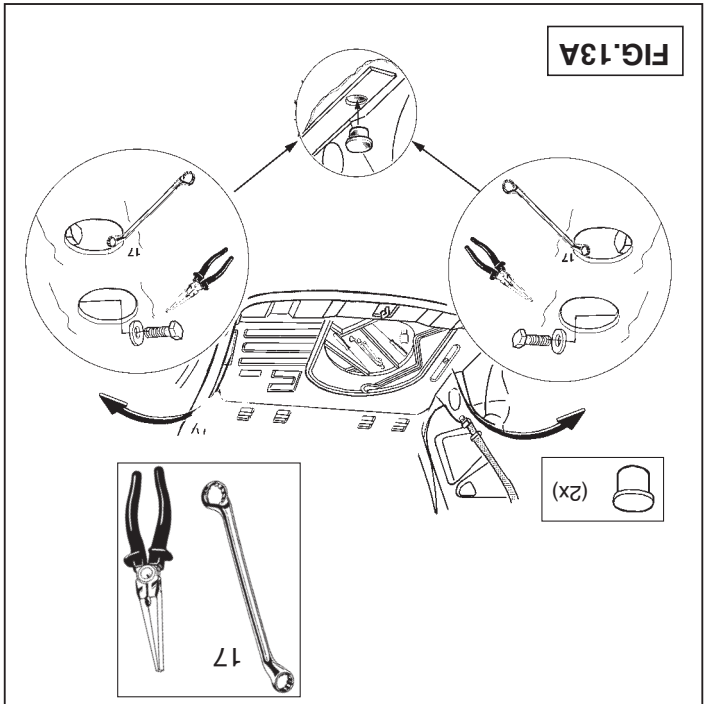
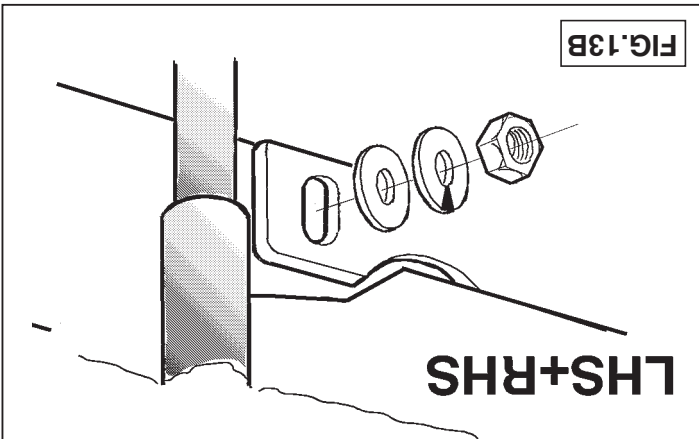
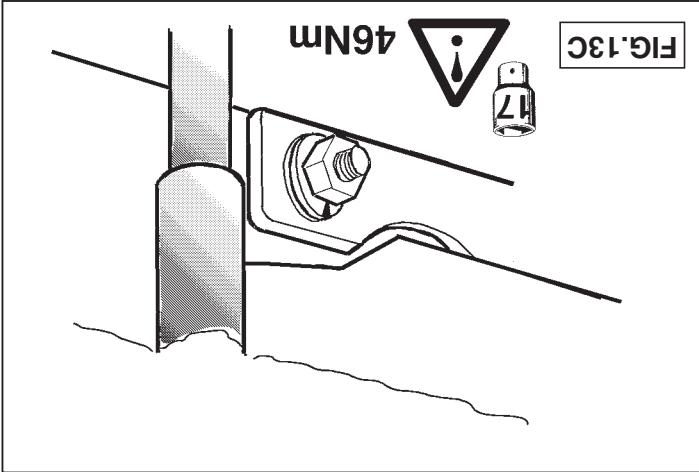
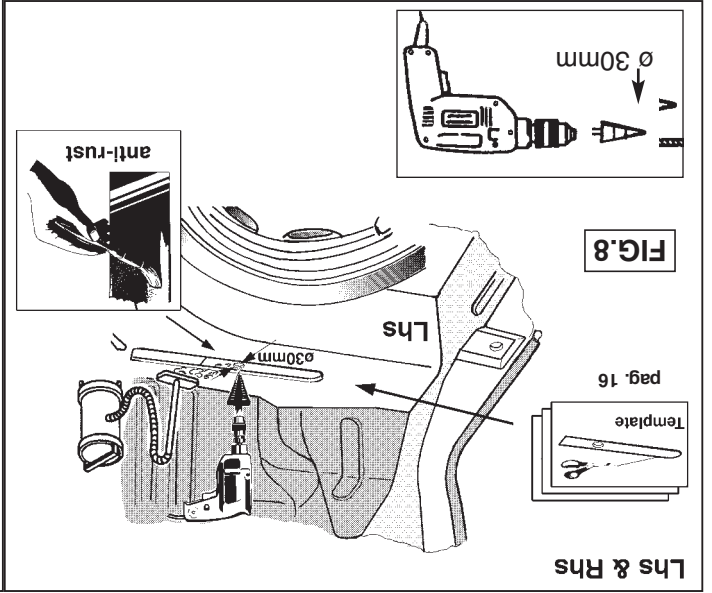
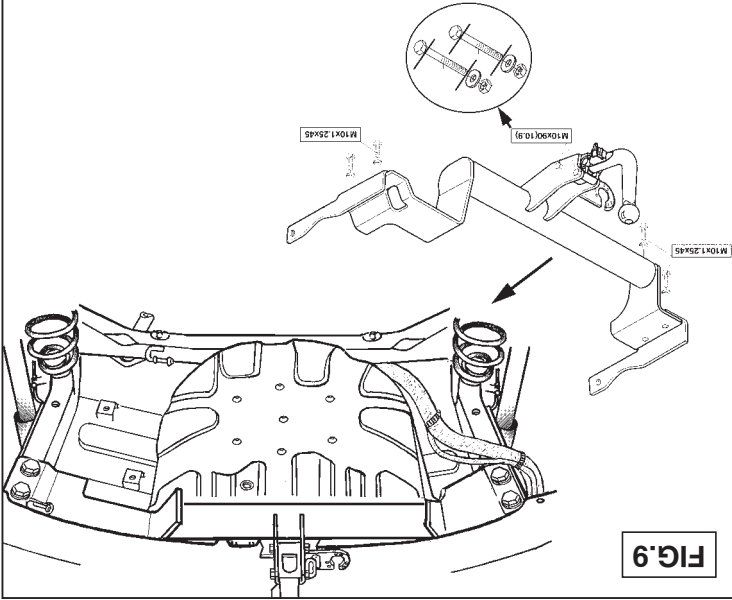
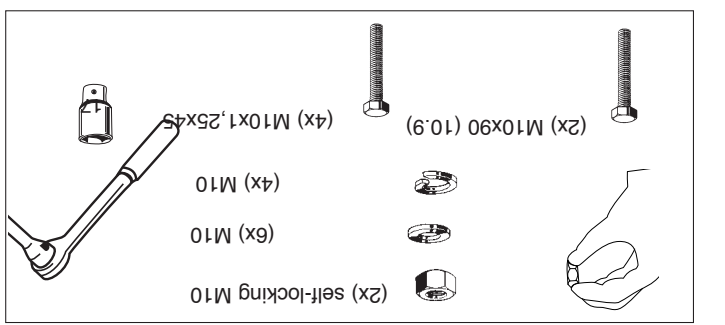
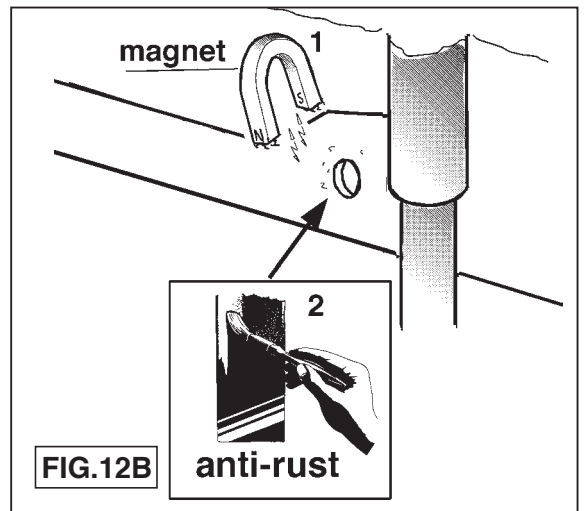
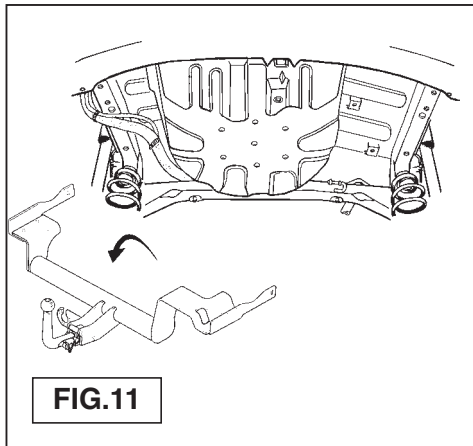
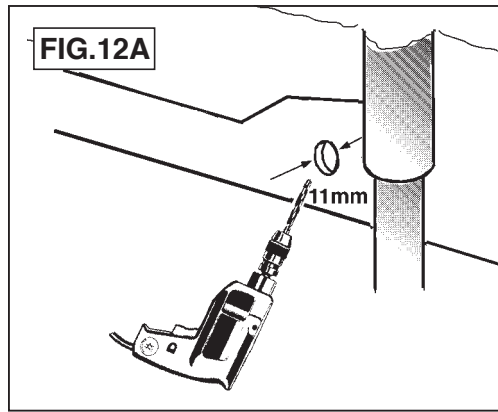
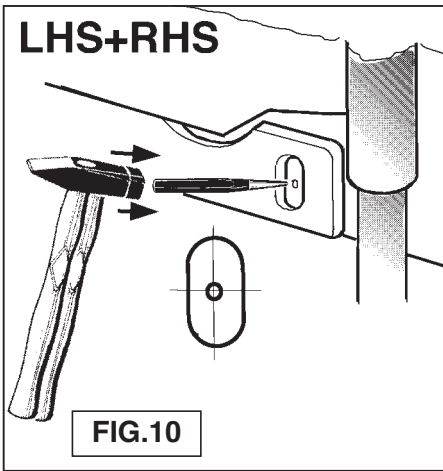


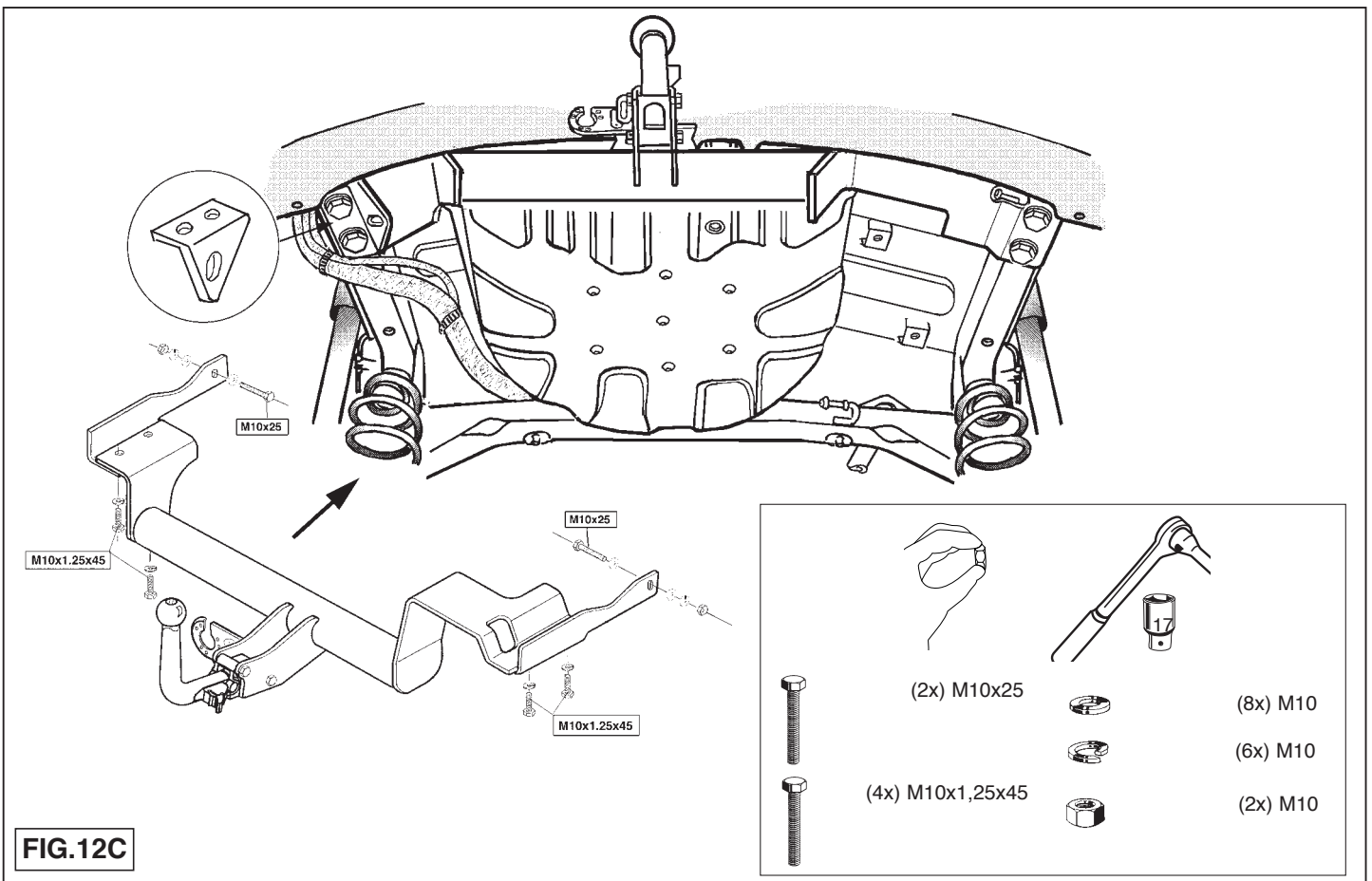
FIG.15

© 301970/17-06-2009/12





© 301970/17-06-2009/9



© 301970/17-06-2009/10